

APPLICATIONS

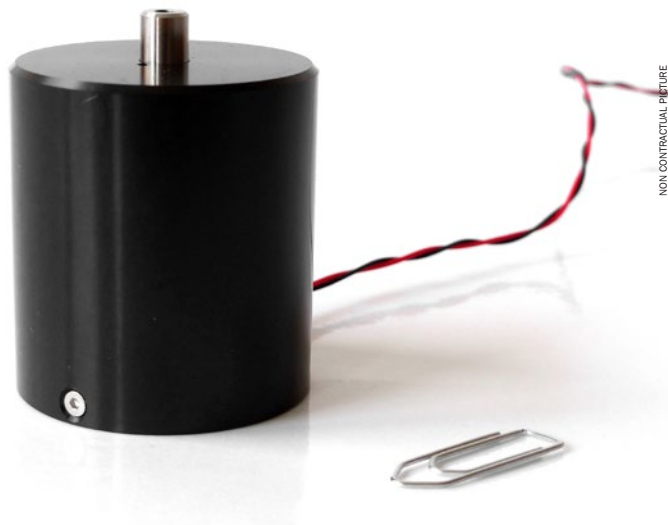
- > Space
- > Biotechnology
- > Medical devices
- > Defence
- > Microscopy
- > Laboratory automation
- > Materials characterization
- > Digital imaging
- > Recreational equipment
- > Photonics

KEY FEATURES

- > High resolution
- > Blocking at rest. Position is preserved when power is removed
- > High resistance to external forces (shock, vibrations). It is ideal for embedded applications
- > High resolution within the nanometre range if required

RELATED PRODUCT

- > Stepping Piezo Controller SPC45



NON CONTRACTUAL PICTURE

SPECIFICATIONS

> Preliminary data

PARAMETER	TYPICAL VALUE	UNIT
-----------	---------------	------

> Forces

Actuation force ⁽¹⁾	>100	N
Holding force ⁽²⁾	200	N

> Stepping mode

Travel range	5	mm
Typical min step size ⁽²⁾	< 100	nm
Typical max speed ⁽³⁾	200	µm/s

> Mechanical properties

Typical lifetime ⁽³⁾	100	cycles
Dimensions	Diam 40 x54	mm
Total mass	160.00	g

> Annotations

(1) Blocked force, no more displacement

(2) Unpowered

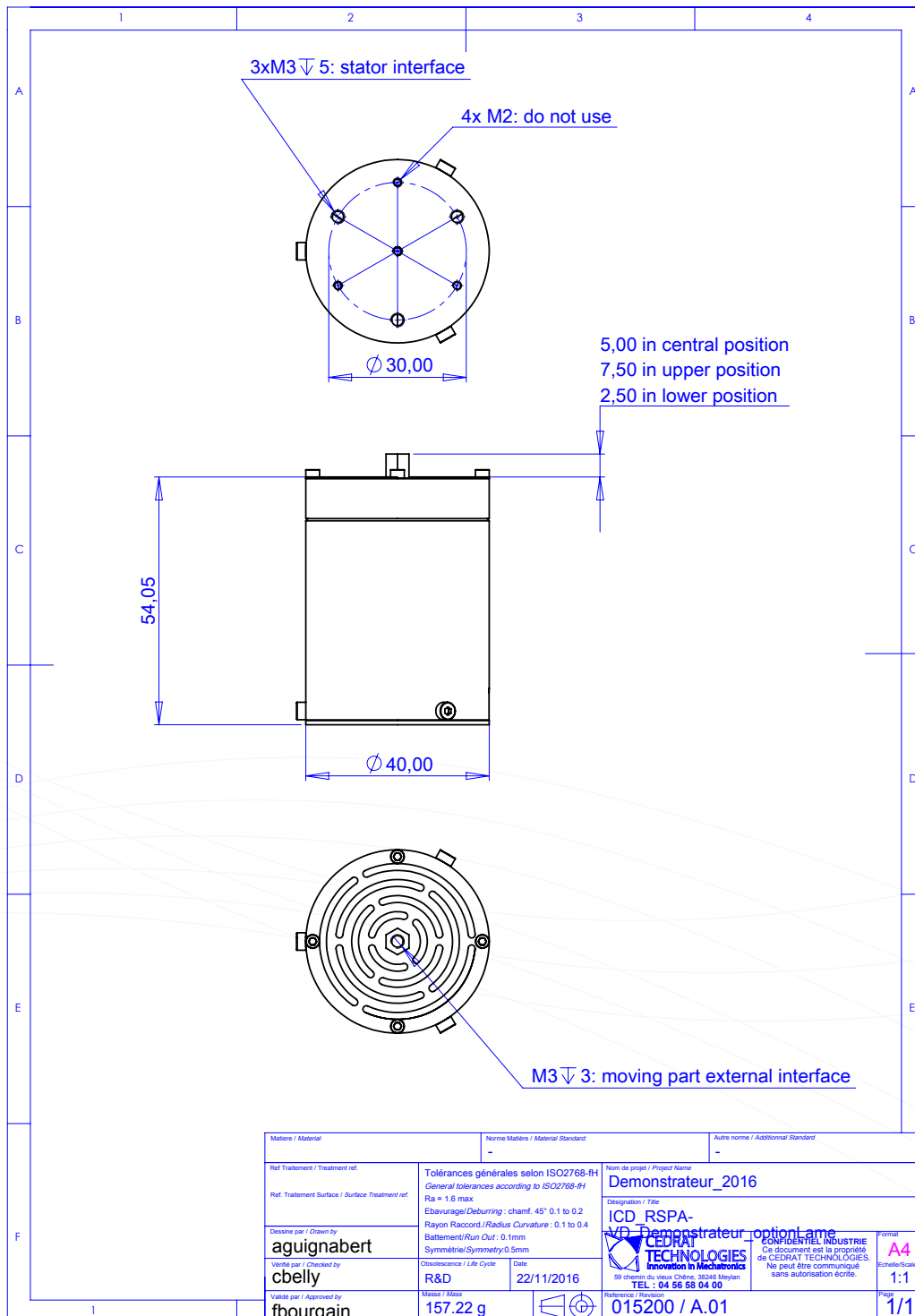
(3) 1 mm stroke, static load

MISCELLANEOUS

Operating temperature :	0°C ... +50°C
-------------------------	---------------

OPTIONS

- > **Longer stroke :** Please contact CTEC for more detail
- > **Non magnetic :** Please contact CTEC for more detail
- > **Additional guiding :** Please contact CTEC for more detail
- > **Vacuum compatible version :** Please contact CTEC for more detail



Matière / Material		Norme Matière / Material Standard		Autre norme / Additional Standard	
Ref Traitement / Treatment ref.		Tolérances générales selon ISO2768-fH General tolerances according to ISO2768-fH		Nom de projet / Project Name	
Ref. Traitement Surface / Surface Treatment ref.		Ra = 1.6 max Ebavurage/Deburring : chamf. 45° 0.1 to 0.2 Rayon Raacord/Radius Curvature : 0.1 to 0.4 Battement/Run Out : 0.1mm Symétrie/Symmetry 0.5mm		Designation / Titre	
Dessiné par / Drawn by		R&D		ICD_RSPA- VD_Demonstrateur_optionLame	
Validé par / Checked by		Date: 22/11/2016		CEDRAT TECHNOLOGIES 59 chemin du Vieux Chêne - 38246 Meylan TEL : 04 56 58 04 00	
Validé par / Approved by		Masse / Mass: 157.22 g		CONFIDENTIEL INDUSTRIE Ce document est la propriété de CEDRAT TECHNOLOGIES. Ne peut être communiqué sans autorisation écrite.	
fbourgain		015200 / A.01		Format: A4 Echelle/Scale: 1:1 Page: 1/1	