

APPLICATIONS

- > Fast and precise positioning
- > Dynamic applications

KEY FEATURES

- > Parallel Pre-stressed Actuator
- > Low voltage piezo ceramic
- > Compact size
- > Non magnetic option available

RELATED PRODUCTS

- > CTEC benchtop controllers
- > CTEC OEM controllers

AVAILABLE OPTIONS

- > SG sensor
- > Vacuum compatibility
- > Ultra High Vacuum
- > Thermocouple sensor

AVAILABLE VARIANTS

- > Non magnetic shell

AVAILABLE INTERFACES

- > Threaded hole



NON CONTRACTUAL PICTURE

PARAMETER	VALUE	UNIT
> Quasistatic performances		
Nominal Stroke	90	µm
Min stroke	81	µm
Resolution ⁽¹⁾	5.1	nm
Blocked force	9 500	N
Stiffness	110	N/µm
> Dynamic performances		
Resonance frequency (free-free) ⁽²⁾	8 700	Hz
Resonance frequency (blocked-free) ⁽³⁾	4 600	Hz
Force limit ⁽⁴⁾	2 900	N
> Control & driving		
Voltage range	-20 ... 150	V
Capacitance ⁽⁵⁾	34	µF
> Dimensions & interfaces		
Height	100	mm
Length	30	mm
Width incl wires	30	mm
Mass	320	g
Standard mechanical interfaces	2 flat surfaces with 1 centered M5 threaded hole 6mm deep & 4 M3 threaded holes on Ø20mm 6mm deep	
Electrical interface	2 PTFE insulated AWG26 wires 100mm long with Ø1 banana plug	

ANNOTATIONS

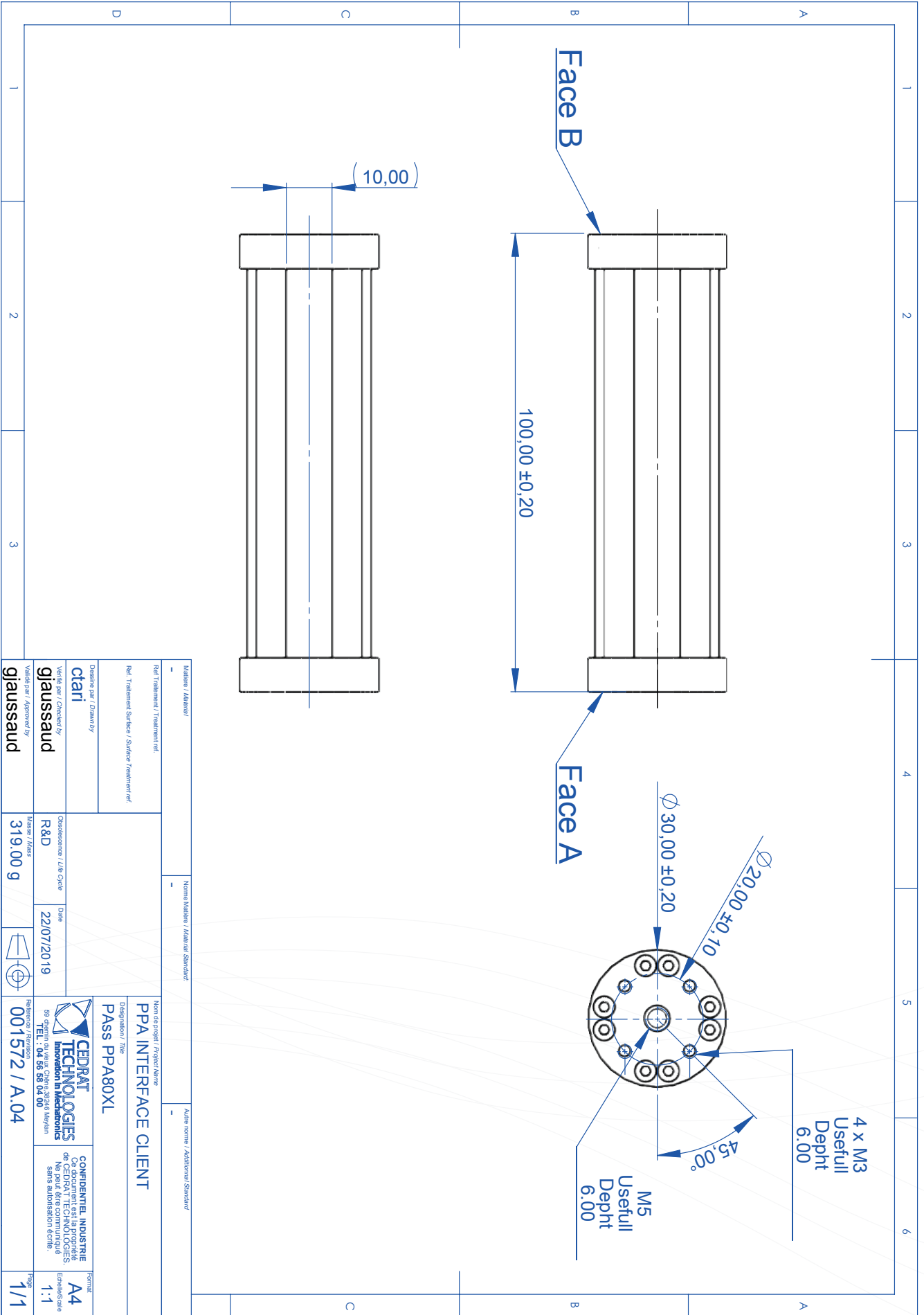
(1) Quasistatic excitation. With standard LA75 range amplifier. SNR=85dB computed as RMS output signal /RMS output Noise floor at [0;2Hz]

(2) Free-free: The actuator mounts are free

(3) Blocked-free: The actuator is fixed to a mechanical support assumed infinitely stiff

(4) Maximum pulling or pushing external force, valid up to 90% of the blocked-free resonance frequency of the actuator

(5) Capacitance +/- 20%, at 1 V RMS, low frequency, without load



Matériau / Material		Normes Matériau / Material Standard		Autre norme / Additional Standard	
Ref. Traitement / Treatment ref.					
Ref. Traitement Surface / Surface Treatment ref.					
Dessiné par / Drawn by		Conception / U/Ib Code		Date	
clari		R&D		22/07/2019	
Véhiculé par / Checked by		Matériau / Mater			
glaussaud		319.00 g			
Validé par / Approved by					
glaussaud					
Nom de projet / Project Name					
PPA INTERFACE CLIENT					
Designation / Title					
PASS PPA80XL					
CEDRAT TECHNOLOGIES		CONSEILIER INDUSTRIEL		Format	
59 Chemin du Vieux Chêne		Ce document est la propriété		A4	
38246 MEYLAN Cedex France		de CEDRAT TECHNOLOGIES		Echelle	
Tel. : +33 (0)4 56 58 04 00		Ne peut être communiqué		1:1	
		sans autorisation écrite.		Page	
				1/1	