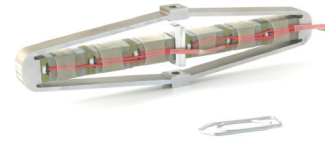


> CTEC: COMPACT, DYNAMIC, PRECISE

Dynamic conditions are particularly challenging! They require systems capable of generating or handling large accelerations. Reactivity and reliability of actuators developed by CTEC make them unique for high dynamic applications.

However integration and loading conditions being equally important, we invite you to get in touch with our engineers at actuator@cedrat-tec.com to discuss your application.



NON CONTRACTUAL PICTURE

> TABLE OF STANDARD PROPERTIES OF USE AND MEASUREMENT

The properties defined in the table below, are set up according to the technical conditions of use and measurement. These properties are warranted within their variation range and in compliance with the standard technical conditions of use.

PROPERTIES	STANDARD TECHNICAL CONDITIONS	UNIT	NOMINAL VALUES	MIN. VALUES	MAX. VALUES
Notes		-	-	-	-
Max. no load displacement	Quasistatic excitation, blocked-free	μm	897	717	1058
Blocked force	Quasistatic excitation, blocked-free	N	292.3	248.4	336.1
Stiffness	Quasistatic excitation, blocked-free	N/μm	0.326	0.261	0.36
Resonance frequency (free-free)	Harmonic excitation, free-free, on the admittance curve	Hz	1305	1109	1436
Response time (free-free)		ms	0.38	0.34	0.44
Resonance frequency (blocked-free)	Harmonic excitation, blocked-free, on the admittance curve	Hz	254	216	279
Response time (blocked-free)		ms	1.97	1.77	2.26
Capacitance	Quasistatic excitation, free-free, on the admittance curve	μF	40.00	36.00	52.00
Max. no load displacement at resonance	Max. harmonic excitation, free-free	μm p-p	404	323	484
Max. voltage at resonance	Max. harmonic excitation, free-free	V _{rms}	9.00	7.20	10.80
Force limit (0-pk)	Max. harmonic excitation, free-free	N	73.07	58.46	80.38
Resolution	Quasistatic excitation	nm	9	-	-
Height (in actuation direction)		mm	35.00	34.90	35.10
Length		mm	145.00	144.90	145.10
Width (excl. wedge & wires)		mm	10.00	9.95	10.05
Width (incl. wedge & wires)		mm	16.00	15.00	17.50
Mass		g	190.0	-	-
Standard mechanical interface	2 flat surfaces 1*2.5 mm ² with a Ø 0.8 mm hole	-	-	-	-
Standard electrical interface	2 single Cu wires 80 mm long with Ø 1 banana plug	-	-	-	-

> PROPERTIES STANDARD TECHNICAL CONDITIONS OF USE AND MEASUREMENT

Free-free :	The actuator is not fixed
Blocked-free :	The actuator is fixed to a mechanical support assumed infinitely stiff
Quasistatic excitation :	AC voltage between -20 and 150 V at 1 Hz
Harmonic excitation :	Voltage of 0.5 V _{rms} , sinusoidal mode from 0 to 100 kHz
Max. harmonic excitation :	Voltage defined by the measurement of max. displacement, sinus at resonance frequency
Displacement measurement :	Laser interferometer, capacitive displacement sensor
Admittance measurement :	HP 4194 A or Cypher C60 electrical impedance analyser
Environment :	Ambient temperature (15-25°C) and dry air (Humidity < 50 % rH)

Any technical conditions of use, different from those defined above, can lead to temporary or definitive alterations of properties. Thank you to contact CEDRAT TECHNOLOGIES before using actuators under non standard technical conditions.

> FACTORY TESTS CARRIED OUT

- Test 1 : Electrical admittance vs. Frequency, free-free
- Test 2 : Displacement vs. input voltage

> OPTIONAL EXTRA FACTORY TESTS

- Test 3 : Gain and linearity of the sensor
- Test 4 : Step response in closed loop
- Test 5 : Stability in closed loop

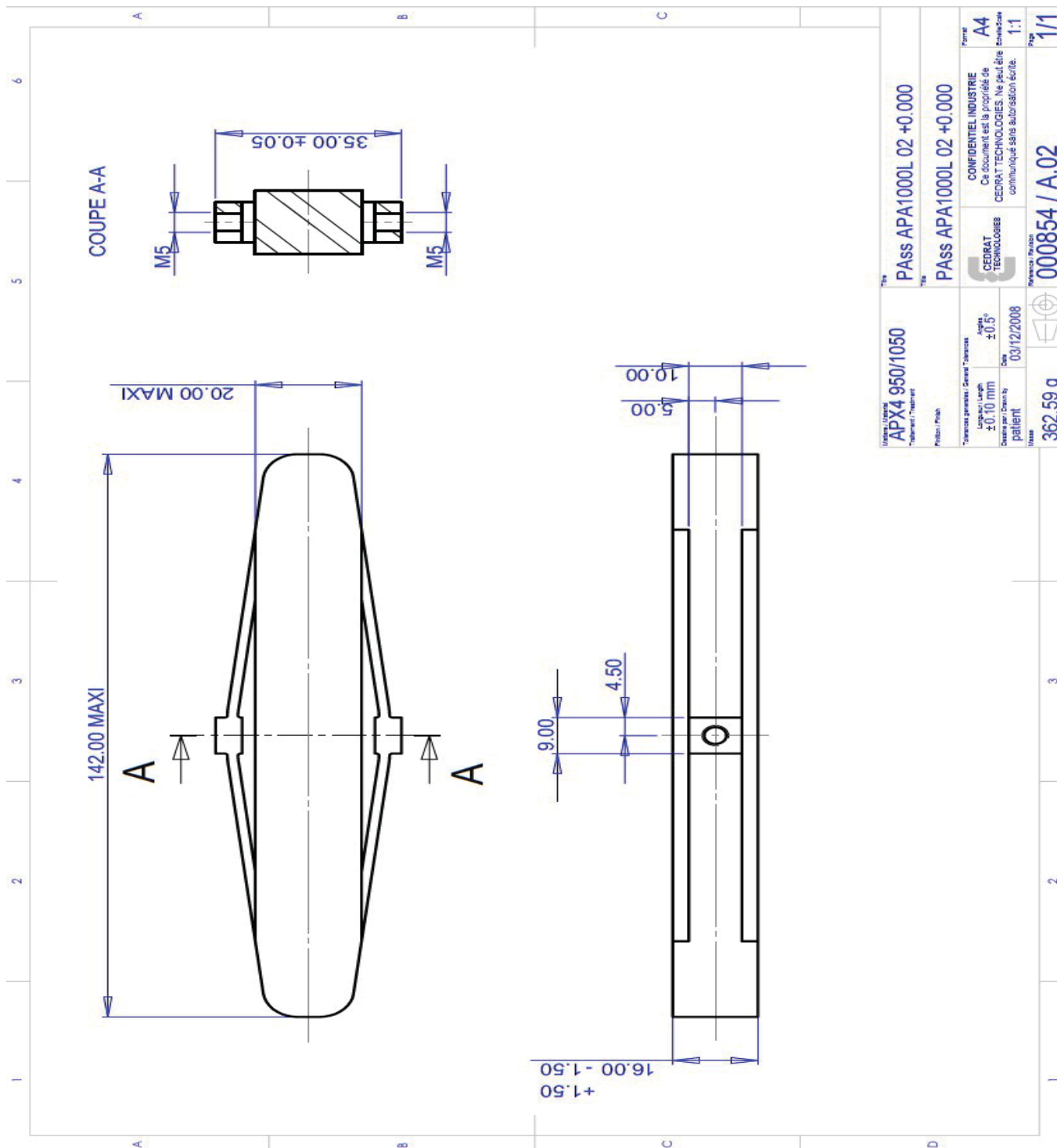
> OPTIONAL MECHANICAL INTERFACE

- [F] Flat Interface
- [H] Flat Interface with hole
- [TH] Flat Interface with threaded hole
- [FF] Free-free Interface
- [SI] Specific interface

> AVAILABLE OPTIONS

- [SG] Strain gauges
- [ECS] Eddy current displacement sensor
- [NM] Non-magnetic
- [VAC] Vacuum
- [SV] Specific version / Customization

➤ 2D CONFIGURATION



Libré de fabrication	APX4 950/1050	Formet	A4
Libré de traitement	Pass APA1000L 02 +0.000	CONFIDENTIEL INDUSTRIE	Ce document est la propriété de CEDRAT TECHNOLOGIES. Ne peut être communiqué sans autorisation écrite.
Processus / Phase	Pass APA1000L 02 +0.000	CEDRAT TECHNOLOGIES	1:1
Dimensionnement / Général / Tolérances			1/1
Longueur / Largeur / Epaisseur	± 0.10 mm		
Angle	± 0.5°		
Etat / Date	patient / 03/12/2008		
Quantité	362.59 g		
Identifiant	000854 / A.02		